

SLATE & SHINGLE INSTALLATION

GENERAL APPLICATION



PRODUCT SPECIFICATIONS

Panel Length	39.25"
Panel Width	12"
Coverage	31 panels / 100 sq ft
Ridge Length	120"
Ridge Width	7" per side
Installation Clips	3 per panel 93 per square 2 per 12" (Flashings)
Trims & Flashings	come in 10' lengths
Flat Stock Metal	48" x 10' sheet

15 panels per box, 48.75 sq ft coverage.

Use 5 clips per panel in high wind areas.

DECK PREPARATION

Always check that the roof deck is straight and true, and that the fascias are level to the deck. When installing field panels, check that the roof line is square to the ridge; marking horizontal chalk lines every 4' will help in adjusting for roof decks that are not square. By lowering a row (not more than 1/16"), you can make minor adjustments in the field panels to square up the uneven sections.

When installing or walking on Westform Shingle Slate roofs, WCB protection guidelines for sloped roofing should be followed at all times.

UNDERLAYMENTS

The sheathing is to be covered with a minimum of one layer of Nova Seal. Overlap the side laps 6". In valley areas, install a minimum of one layer of Nova Seal prior to installing valley metal.

SEVERE CLIMATE

For installations in regions of the country where snow and ice exist, potential hazards associated with falling snow and ice should be addressed. Areas above walkways and driveways, etc., should be installed per specification from an architect or engineer.

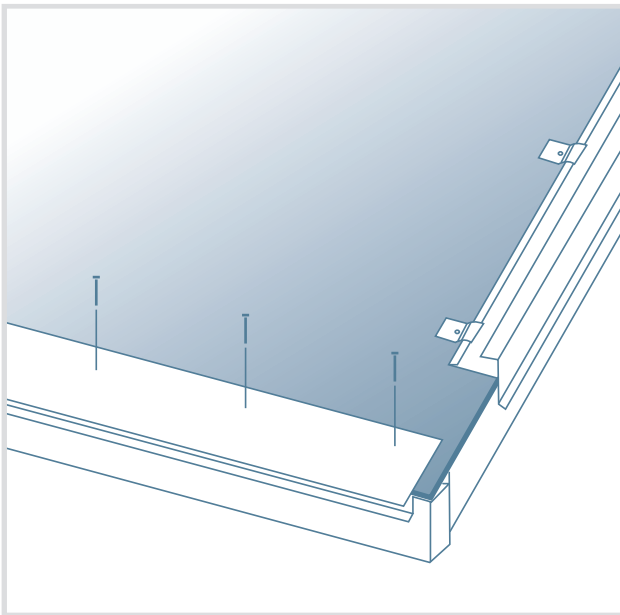
ROOF SLOPING & SHEATHING REG.

Minimum roof slope is 4/12. Must be installed over code complying minimum 7/16" (11.1mm) wood sheathing.

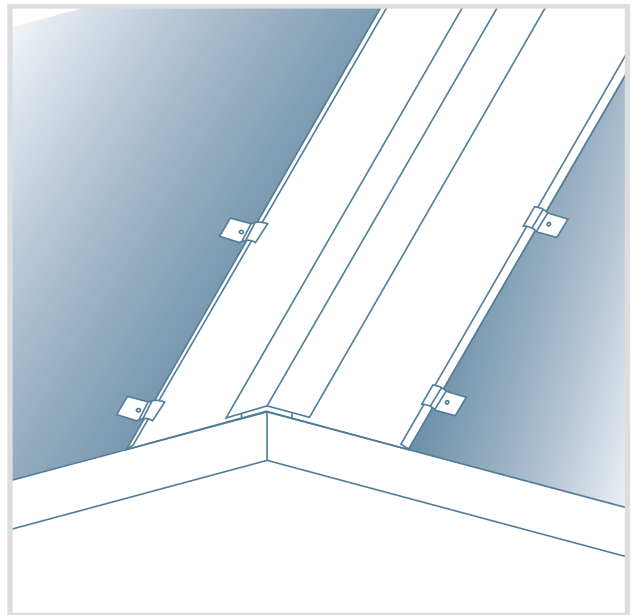
SLATE & SHINGLE INSTALLATION

GENERAL APPLICATION

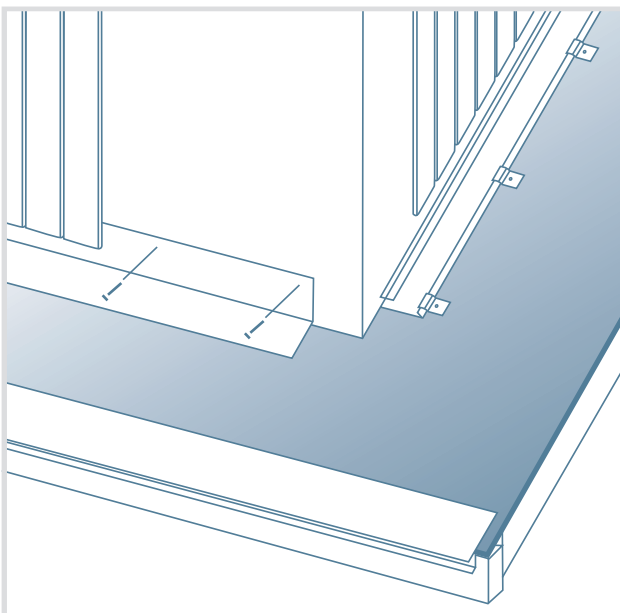
EAVE STARTER & GABLE TRIM



VALLEY & HIP FLASHING



SIDE & END WALL FLASHING



RIDGE FLASHING

