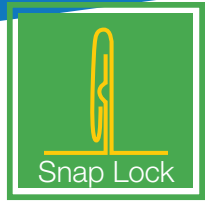


Cut Sheet | 5056-N SP3



Double Lock



Snap Lock

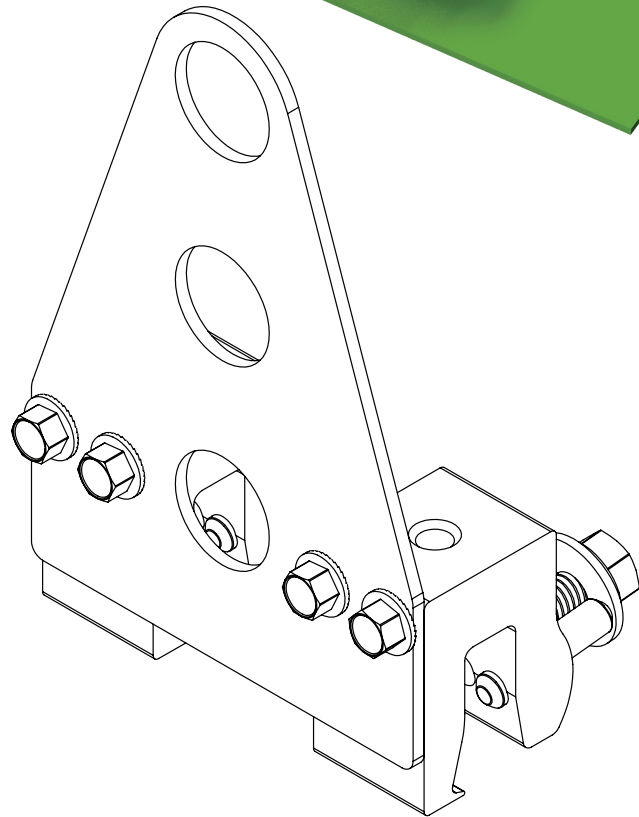
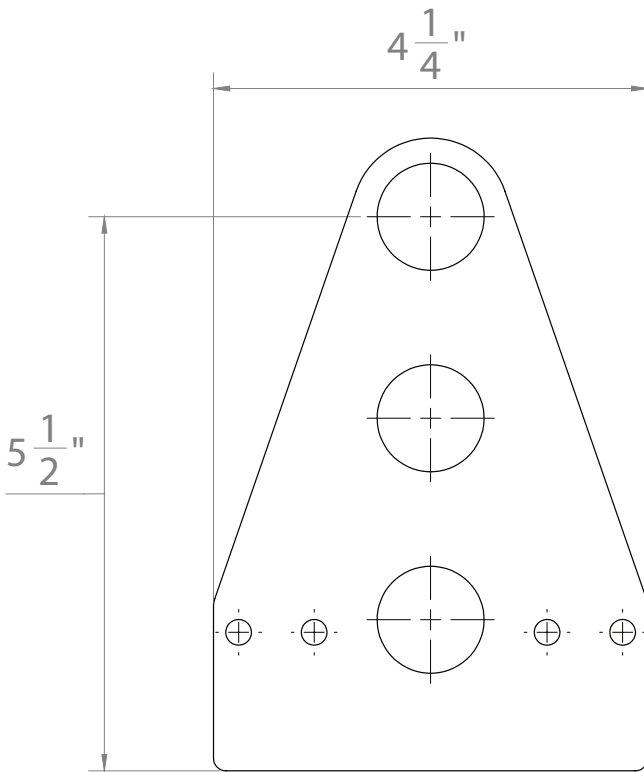
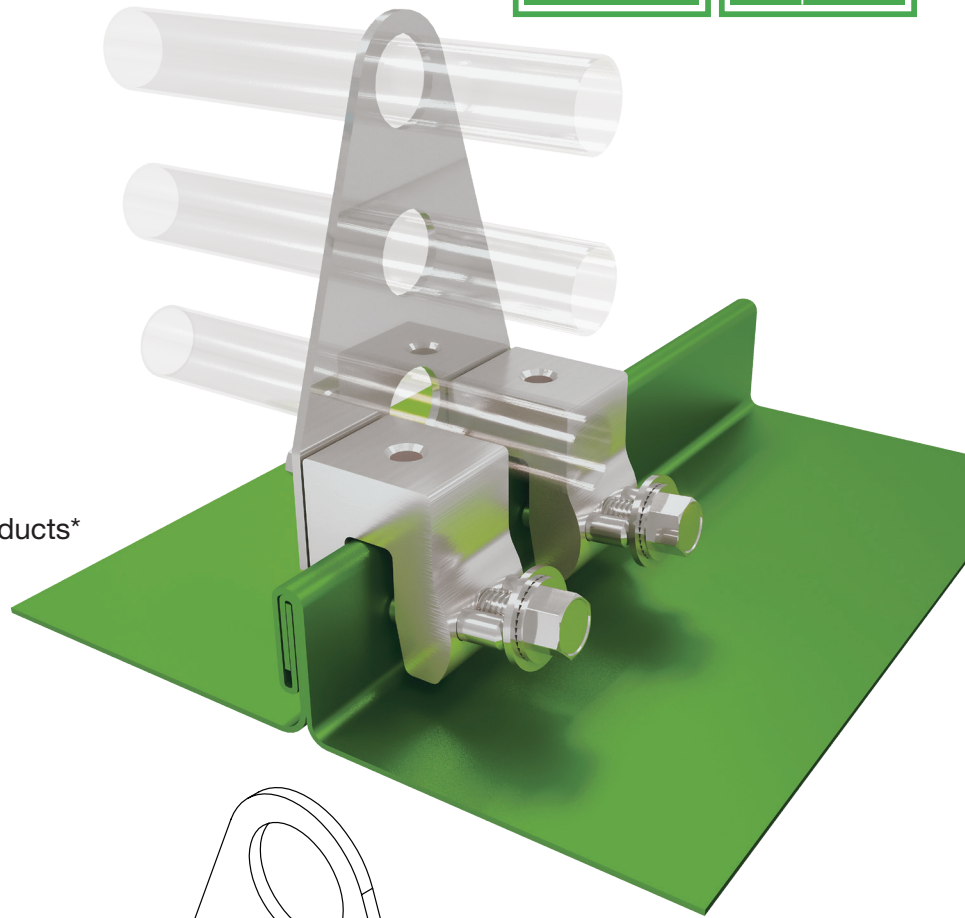
A2®N, 3-Rail, 2 Clamp Assembly

- Our three bar, 2 clamp system is designed for **heavy snow loads**
- Pre-assembled clamp allows for easy torque installation
- Non-penetrating sliding pin design does not damage the panel
- Includes (2) fully-assembled A2®N clamps with 3-hole snow bracket
- Installs in half the time of competitive products*

Designed for Architects

Manufactured for Contractors

Labor Savings for Installers



*Based on typical contractor experiences.

ACE
CLAMP®
The PROOF Is On The ROOF™

a product of
PMC Industries Inc.

87 Spring Lane | Plainville, CT 06062

860-351-0686



*Photos shown are for representative purposes only. Actual product may vary. Design subject to change without notice. Additional panel profiles & torque specs: www.aceclamp.com