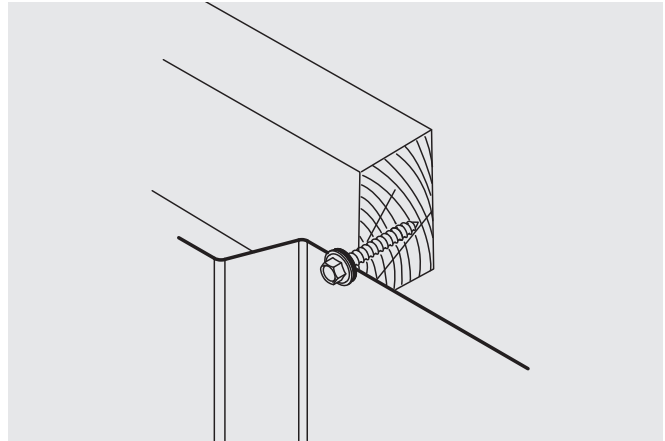


#9-15 Woodgrip Metal to Wood Fastener



Features and Benefits

- High hex washer head provides driving stability
- Sharp point for fast installation
- Assembled control seal washer
- VistaCoat® premium coating system
- VistaCoat® limited warranty

Application

Metal panel to wood

Product Selection

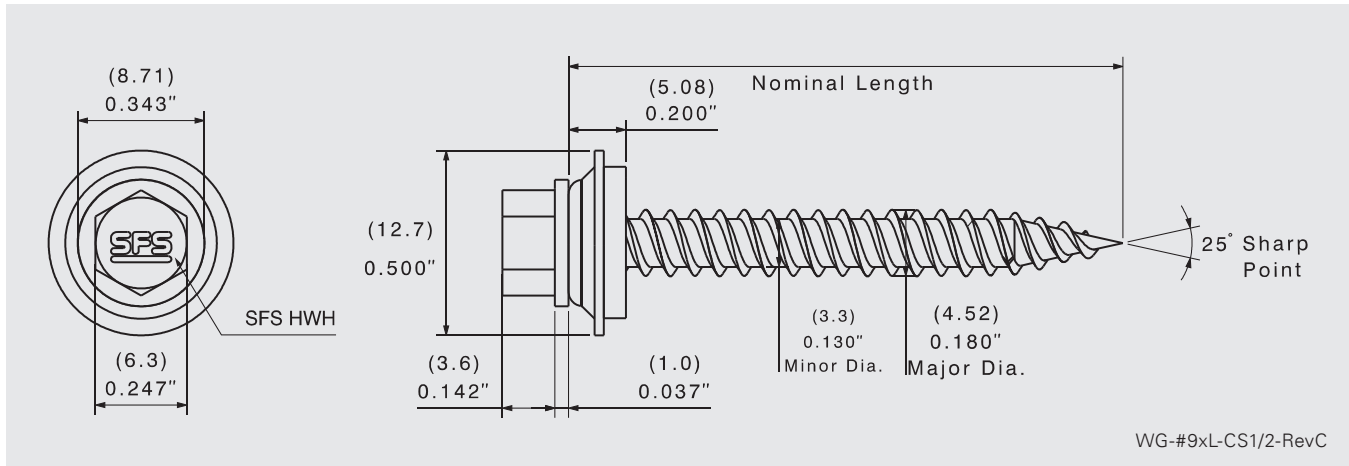
Material No.	Fastener Length	Thread Length*	Description	Carton Wt. (lbs.)	Carton Qty.
1300564	1"	Full	WG-#9x1-CS1/2	26	3,000
1300771	1-1/2"	Full	WG-#9x1-1/2-CS1/2	27	2,500
1301007	2"	Full	WG-#9x2-CS1/2	27	2,000
1301151	2-1/2"	Full	WG-#9x2-1/2-CS1/2	24	1,500
1302309	3"	Full	WG-#9x3-CS1/2	18	1,000

Plain product bagged 250 pieces, unless otherwise noted.

*Note – Thread length measured from tip of the drill point to end of the threads.



#9-15 Woodgrip Metal to Wood Fastener



WG-#9xL-CS1/2-RevC

Product Specifications

Diameter: #9 (4.52 mm)
 Threads Per Inch: 15
 Head Style: 1/4" dia. HWH AF (6.3 mm)
 Washer: 1/2" Galvanized and EPDM control seal (12.7 mm)

Drill Point: Sharp point
 Drill Capacity: 24 ga. (0.6 mm)
 Thread Major Dia: 0.180" (4.52 mm)
 Thread Minor Dia: 0.130" (3.3 mm)

Performance Data^{1,2,3}

Material Strength

Tensile	1751 lbf / 7789 N
Shear	1223 lbf / 5440 N
Torsional	60 lbf-in / 6.78 N·m

Pull Out Strength Wood: SPF

1" (25.4 mm) penetration	542 lbf / 2411 N
1-1/2" (38.1 mm) penetration	748 lbf / 3327 N

Pull Over Strength

29 Ga (0.3 mm)	577 lbf / 2567 N
26 Ga (0.5 mm)	637 lbf / 2834 N
24 Ga (0.6 mm)	800 lbf / 3559 N

¹ Pull out strength values may vary from tested loads depending upon specific wood density variations.

² Pull over strength values are based on metal panel ksi values: 29 ga. (100 ksi), 26 ga. (70 ksi), 24 ga. (70 ksi).

³ SFS [4899.12, 4954.12, 4381.07]

Installation and Application Considerations

Tools: 0–2500 rpm screw gun equipped with depth sensing nose piece.

Use of impact guns or hammer drills is not recommended.

#9 Woodgrip is not recommended for installations into less than 1" of wood.

Fasteners installed in less than 1" of solid wood may have an increased potential for sealing or connection failure over time. This may be due to the fasteners being stripped out during installation and/or due to the lack of adequate wood fiber material to hold the fastener in place during thermal movement cycles or other forces which may be exerted upon the connection.

Metric values are approximate conversions.

The details stated are results of tests and/or calculations and therefore are non-binding and do not represent warranties or warranted characteristics for not specified applications. All calculations therefore have to be checked and approved by the responsible planner ahead of execution. The user is responsible to assure compliance with all applicable laws and regulations.

US
T 800 234 4533
www.sfsintecusa.com

Canada
T 866 847 5400
www.sfsintec.ca