

ColorSnap™**AceClamp ColorSnap Snow Retention System****Product Description**

ColorSnap™ Fastest way to add color on a S.S.M.R. using AceClamp's® fully assembled clamps, this modern design snow rail snaps into place without additional hardware or tools. ColorSnap™ Ice Flags easily snap in at one of two vertical height positions on the snow rail.

Color Strip 2" Insert (Supplied by Customer)

Components

- a.) 8 Foot Rail
- b.) Ice Flag
- c.) AceClamp
- d.) Top Block
- e.) Hex Head Bolt
- f.) Connector Link

Assembly Instructions

Ships with product or available at aceclamp.com

Composition & Materials

Extruded materials are made from 6000 Series Tempered aluminum alloy, Connector Link and Hex Head Bolt are made from 300 Series SS

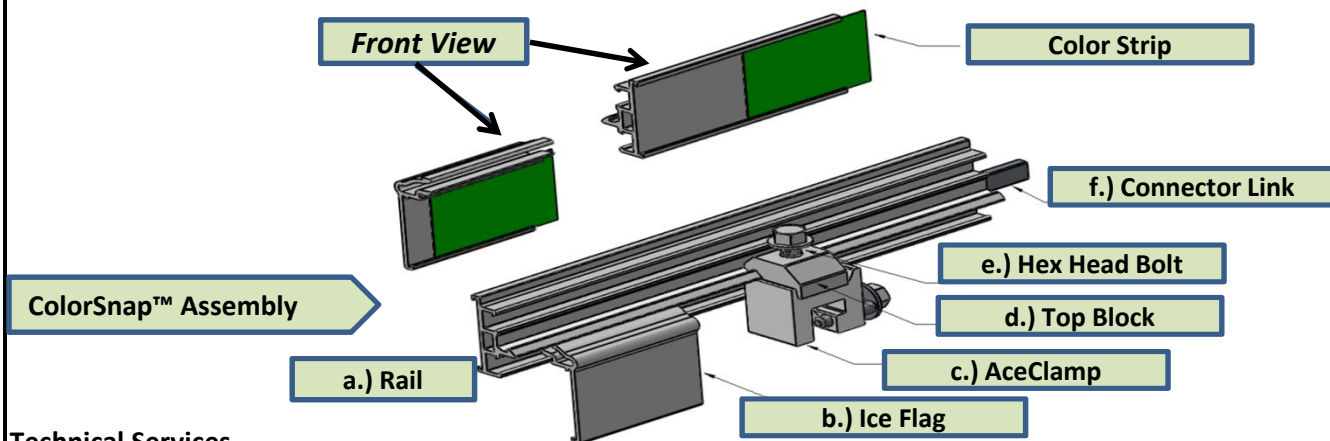
Benefits

- 1) Installs in 1/2 the time of other clamps
- 2) No set screws to mar panel finish
- 3) Rigorous third party lab testing ensures quality and performance
- 4) AceClamp and Top Block ship fully assembled

Technical Data

ASTM B221 Standard Specification for Aluminum-Alloy Extruded Bars, Rods Wire, Profiles and Tubes

ASTM A582/12 Standard Specification for Free-Machining Stainless Steel Bars

**Technical Services**

On-Site engineering services available at 860-351-0686

AceClamp/PMC Industries
87 Spring Lane
Plainville CT, 06062

Phone: 860-351-0686

Cell: 860-205-0724

Fax: 860-351-0689

www.aceclamp.com