

ACECLAMP®
A2-Nw™
 SSMR CLAMP



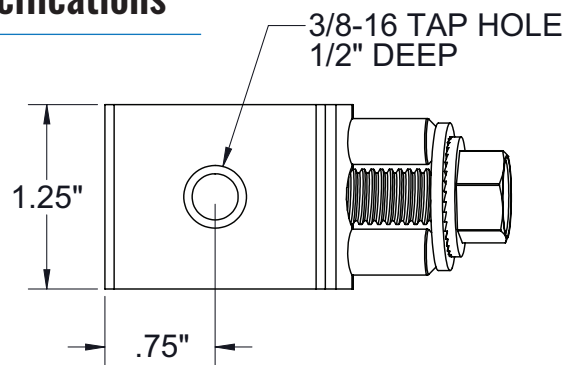
Shown: Part# 5119

Designed for Architects
Manufactured for Contractors
Labor Savings for Installers

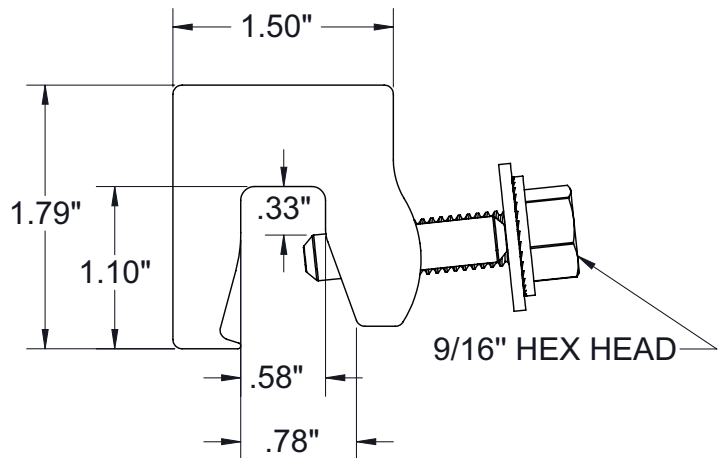
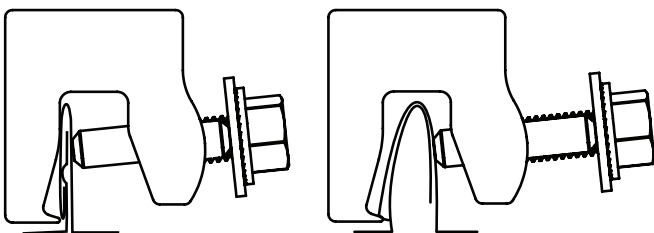
INSTALLS QUICKER, SAFER &
 WITH GREATER PROFIT!

- Pre-assembled
- Torque with ease
- Sliding pins don't scratch panels
- High wind & snow load resistance

Specifications



A2-NW Supported Roof Profiles



Further documentation online at

www.AceClamp.com

**ACE
 CLAMP®**