

ABOUT DELPRO 1638

Distinctive Tongue and Groove System

Quick and Easy Installation

Low Maintenance

Easy to Clean

Economical

No Painting Required

Bright White, Extremely Smooth Panels

Made with 100% Exterior Grade Virgin PVC

CFIA Approved

Hidden Fastener

Class A Fire Rating

15 Year Warranty

FASTENERS PER THOUSAND

#10 x 1" ACQ PANHEAD

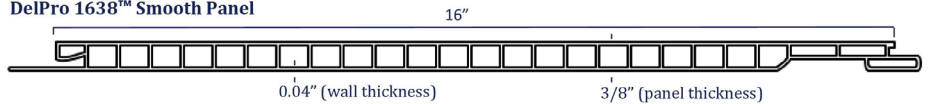
QUAD DRIVE. \$

#10 x 1" PANHEAD

SELF DRILLER. \$



DelPro 1638™ Smooth Panel



With a wall thickness of 0.04" and overall panel thickness of 3/8" it is the most durable PVC panel on the market.

DELPRO 1638 SKID PACKAGING DETAILS

Standard Lengths	Quantity/Skid	Weight/Skid
8'	90	773 lbs
10'	90	987 lbs
12'	90	1,132 lbs
14'	90	1,300 lbs
16'	90	1,515 lbs
18'	90	1,738 lbs
20'	90	1,820 lbs
Skid Dimensions 35"H x 29"W x Product Length + 1"		

AGRICULTURAL - INDUSTRIAL - COMMERCIAL - RESIDENTIAL

8'	\$ EACH
10'	\$ EACH
12'	\$ EACH
14'	\$ EACH
16'	\$ EACH
18'	\$ EACH
20'	\$ EACH

TERMS NET 30 DAYS. PRICES SUBJECT TO CHANGE WITHOUT NOTICE.

www.westform.com

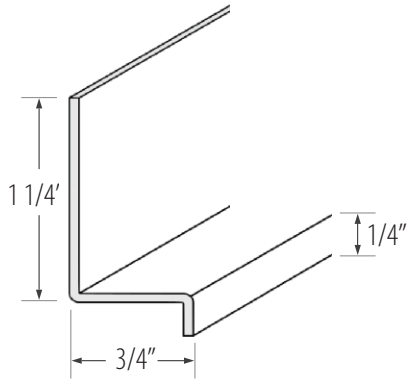


DELPRO 1638

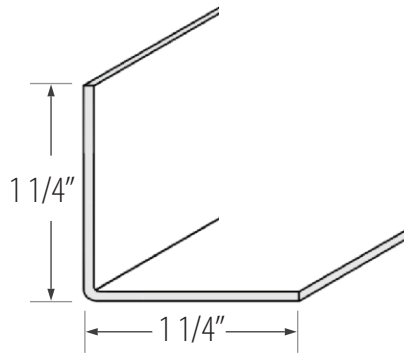
INTERLOCKING PVC PANEL

TRIM DIMENSIONS

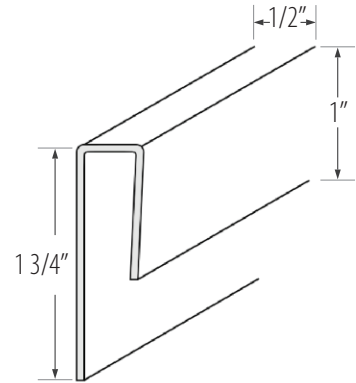
10 ft Lengths



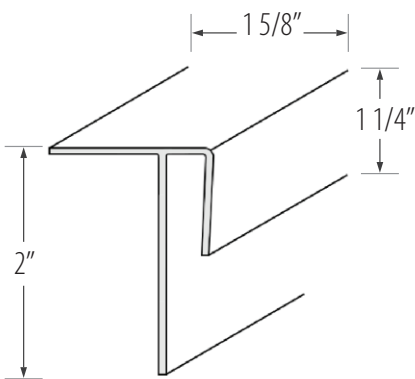
Base Trim



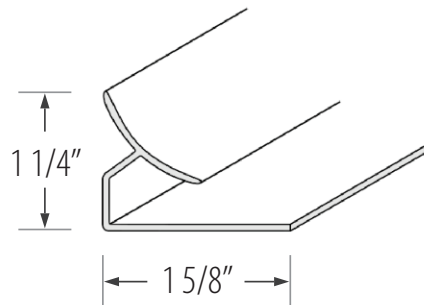
L-Trim



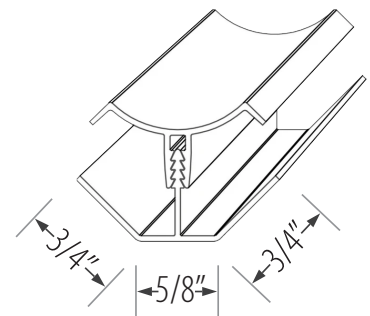
J-Trim



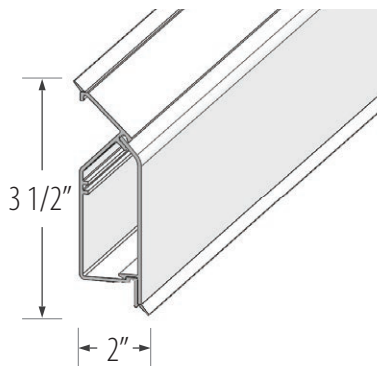
Outside Corner Trim



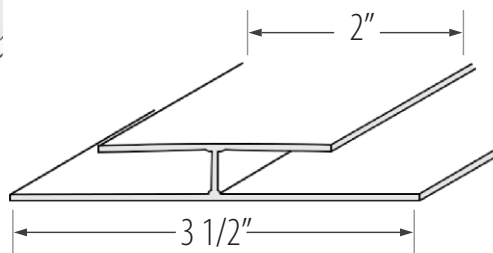
Inside Cove Trim



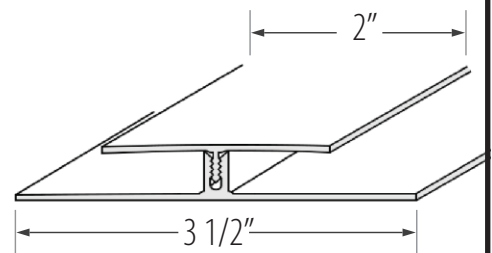
Clipsable Inside Cove Trim



Multi-function Trim



H-Trim



Clipsable H-Trim