

# DELPRO 1238™ 1638™

INTERLOCKING PVC PANEL

## INSTALLATION MANUAL

PHONE: 1-877-553-3632  
EMAIL: [sales@delcan.ca](mailto:sales@delcan.ca)  
FAX: 1-877-264-9025  
WEB: [delpro1238.com](http://delpro1238.com)

DEL  
PRO  
1238™ || 1638™

## IN THIS MANUAL

- :: Trims
- :: Warranty Disclaimer
- :: Installation Instructions:

### **Section 1 - Ceiling Panel Installation**

- 1.1 - Ceiling Prior to Walls
- 1.2 - Recommended Maximum Panel Span
- 1.3 - Insulation
- 1.4 - Compliance
- 1.5 - Installation

### **Section 2 - Vertical Wall Panel Installation**

- 2.1 - Vertical Wall Panel Installation
- 2.2 - Horizontal Wall Panel Installation

### **Section 3 - Panel Cutting Instructions**

- 3.1 - Panel Cutting and Safety Instructions

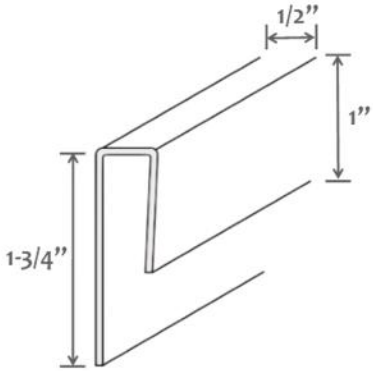
### **Section 4 - Fasteners, Adhesives, & Sealants**

- 4.1 - Recommended Fasteners
- 4.2 - Recommended Adhesives & Sealants

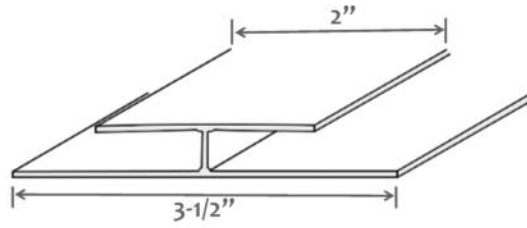
### **Section 5 - Special Instructions**

- 5.1 - Installation in Low Temperatures
- 5.2 - Heat Distortion
- 5.3 - Radiant Tube Heaters

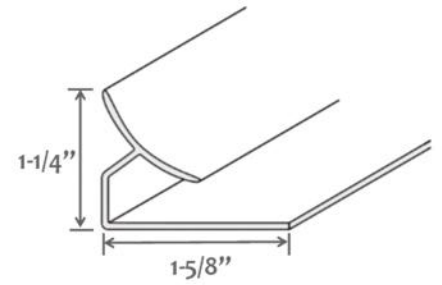
## TRIMS



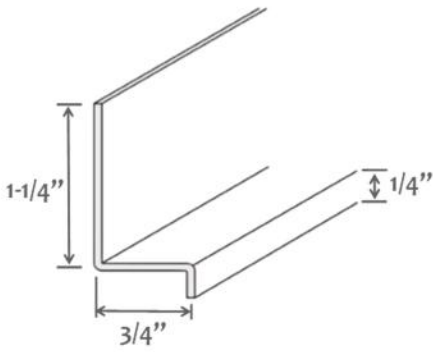
**J-Trim**



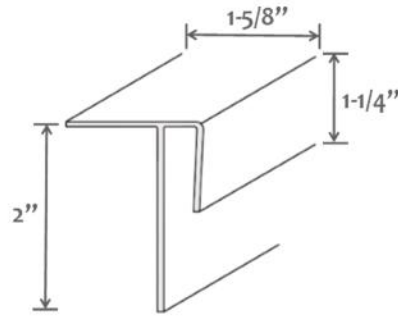
**H-Trim**



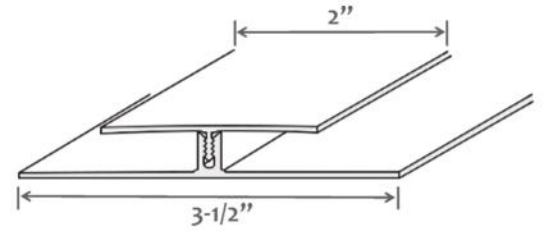
**Inside Cove Trim**



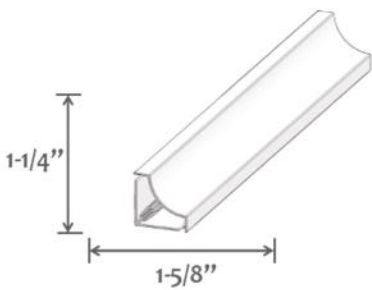
**Base Trim**



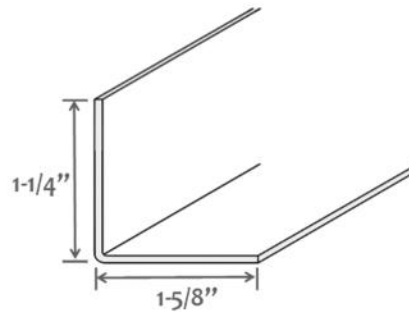
**Outside Corner Trim**



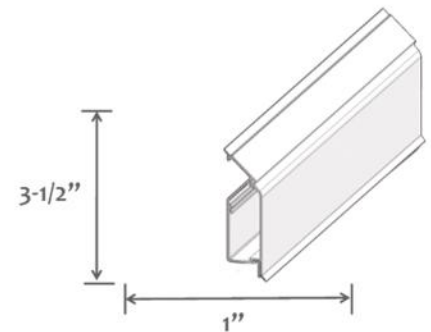
**Clipsable H-Trim**



**Clipsable Inside Cove Trim**



**L-Trim**



**Multi-function Trim**

## WARRANTY DISCLAIMER

▣ **ATTENTION** ▣

**Please refer to these installation instructions before installing your panels as the warranty on this product is void if not installed accordingly**

---

- ***We are not responsible for expansion problems***

Please view Section 5.1 - Installation in Low Temperatures in the installation instructions for help installing our panels in low temperatures.

- ***We are not responsible for distorted panels due to excessive heat***

Please view Section 5.2 - Heat Distortion in the installation instructions for help installing and operating heaters and furnaces in areas using our PVC panels.

Delcan Products Ltd. obligation covered under the 15 year warranty is limited to the replacement of defective materials ONLY. Warranty for defective materials shall not include the cost or expense of any labor necessary for the replacement of the defective materials.

Delcan Products Ltd. has provided these installation instructions to the best of their knowledge based on previous experience and customer feedback.

If you have any questions regarding the installation of our PVC panels, please don't hesitate to contact us and we would be happy to assist you with any questions or concerns you may have.

# INSTALLATION INSTRUCTIONS

## Section 1 - Ceiling Panel Installation

### Section 1.1 - Ceiling Prior to Walls

If you are installing panels on both walls and ceiling, it is recommended to do the ceiling first. The ceiling can also be installed at a later date.

- See warnings on Radiant Tube Heater installation - Section 5.3
- See Special Instructions for installation in cold temperatures - Section 5.1
- See Recommended Fasteners - Section 4.1

### Section 1.2 - Recommended Maximum Panel Span

Maximum recommended panel span is 24" between ceiling trusses.

### Section 1.3 - Insulation

If your building is going to be insulated, you should install 6 Mil Poly sheeting as a vapor barrier on walls and ceilings BEFORE installing panel.

### Section 1.4 - Compliance

Prior to installing panels, ensure that both your project and product are in compliance with all applicable building codes in your area.

### Section 1.5 - Installation

Step 1 - Panels should run perpendicular to the ceiling trusses or furring strips (strapping).

Step 2 - Use either J-Trim or Inside Cove around the perimeter of the ceiling.

- If J-Trim is used, it should be installed around the perimeter of the ceiling prior to the ceiling panel installation. J-Trim is installed to the ceiling with the widest part of the trim attached to the ceiling and opening toward the center of the ceiling.
- If Inside Cove is used, it can be installed around the ceiling perimeter **before or after** your ceiling panels are installed (only when installing both wall and ceiling).

*Before* - Install prior to ceiling installation with the widest part of the trim attached to the ceiling and opening towards the center of the ceiling.

*After* - If installing wall panels, Inside Cove is fastened into the building wall, tight against the bottom of the ceiling panels with the opening facing down to the floor, creating the top channel for wall panels

## INSTALLATION INSTRUCTIONS

### Section 1 Continued

Step 3 - Cut panels 1/2" shorter than actual measurements to allow for the panel movement, installing the panels 1/4" in from each end.

Step 4 - Begin by taking the first panel and placing it at one end of the ceiling with the tongue facing the wall and the nailing fin facing away from the wall. Slide the panel into the trim installed as described above (for ceiling installation only). Adjust the panel so it's running parallel with the outside wall. Fasten the panel through the nailing fin screw holes; at each truss or every 16" - 24".

***recommended fasteners listed in Section 4.1***

Step 5 - Install the remaining panels by inserting the tongue of the new panel into the groove of the previous panel and push the panels together. Ensure that the panels are running square to the wall, then proceed and install the remaining ceiling panels.

Step 6 - The last panel you may have to rip down to fit. Measure your remaining space using the distance at the panel edge, not the nailing fin edge. Rip the panel 1/4" narrower than your measurement (see Section 3.1 for panel cutting). If trim has been installed, apply a small bead of construction adhesive to the truss of the strapping. Slide the panel first into the trim, maneuvering it into the groove of the previous installed panel and push together. If cladding the walls also, screw the last panel along the walls, keeping the screw within 1" of the wall so the trim covers it or glue as above.

***recommended adhesives listed in Section 4.2***

## INSTALLATION INSTRUCTIONS

### Section 2 - Wall Panel Installation

#### Section 2.1 - Vertical Wall Panel Installation

Step 1 - If ceiling is being paneled, it should be installed prior to the walls. Door and window trim boards, casings, etc. can be installed before or after panel installation.

Step 2 - If ceiling is installed, install Inside Cove around the perimeter of the ceiling, screwing trim every 16" - 24" tight against the ceiling panels (a ripple look may appear until the panel is inserted into the trim).

Step 3 - Start at one corner and install J-Trim along the floor. Run a thin bead of clear silicone caulk along the long side of the J-Trim to provide a waterproof seal, then fasten with screws every 16" - 24" along the bottom and top of the wall (unless Inside Cove is installed at the ceiling). At door and window openings, install J-Trim or Outside Corner prior to installing wall panels. This will make a nice clean border around your doors and windows.

Step 4 - If the starting wall is not connected to another wall to be paneled, install J-Trim in the corner.

Step 5 - Take the first wall panel and cut it 1/2" shorter than the actual wall height. Insert the panel in the corner; tongue first (into trim) and insert up into the ceiling trim. Bend slightly in the middle so you can get the panel into the J-Trim at the floor. You may need to trim a bit more depending on the length of the panel.

Step 6 - Level the first panel and raise it slightly off the floor - about 1/4" - and fasten it to the wall through the screw holes in the nailing fin. Fasten every 16" - 24" along the nailing fin. Fasten the tongue side near the corner with a screw to temporarily hold in place or install Inside Cove on the adjoining wall.

Step 7 - Once the first panel is in place and leveled, proceed to install the remaining wall panels by inserting the tongue of the groove of the previous panel until snug. (See Section 5.1 for spacing exceptions).

## INSTALLATION INSTRUCTIONS

### Section 2 Continued

Step 8 - Install Inside Cove at each corner once the adjacent wall is covered with paneling. For a water-tight corner, put a small bead of clear silicone on the back side of the Inside Cove before you install.

Step 9 - The last panel you may have to rip down to fit. Measure your remaining space using the distance at the panel edge, not the nailing fin edge. Rip the panel 1/4" narrower than your measurement. If trim has been installed, apply a small bead of construction adhesive - about 2" to 3" - from the corner. Slide the last panel into the corner or trim, then back into the installed panel. Apply pressure to the panel to set the adhesive. If cladding the adjoining wall, install an Inside Cove to assist in holding the panel in place.

***recommended adhesives listed in Section 4.2***

### Section 2.2 - Horizontal Wall Panel Installation

Review the Section 2.1 - Vertical Wall Panel Installation prior to installing panels horizontally. After trim is installed, start installing the wall panels from the top down to the floor. Start at the ceiling with the first panel and install the panel with the nailing fin pointing down towards the floor. This way, water will not lay in the groove. Proceed to install the remaining panels as directed in Section 2.1.

## INSTALLATION INSTRUCTIONS

### Section 3 - Panel Cutting Instructions

#### Section 3.1 - Panel Cutting and Safety Instructions

Read all safety instructions for power and hand tools used, wear safety glasses, and use hearing protection.

**\*\*\*CUT THROUGH PANELS SLOW AND STEADY. DO NOT RUSH.\*\*\***

#### ***Panels can be cut by using the following methods:***

- Powered miter saw with a fine tooth blade.
- Table saw with a fine tooth plywood blade or an 80 tooth carbide blade.
- Utility knife with a fixed blade and a straight edge to guide the knife. Score area 4 - 6 times with a sharp knife to cut through materials.

Panels may cut easier and have a cleaner cut when the saw blade is installed backwards. Always test cut a piece of scrap panel first to see the result of the cut.

### Section 4 - Fasteners, Adhesives, & Sealants

#### Section 4.1 - Recommended Fasteners

- DelPro 1238™ & DelPro 1638™ Wood Fastener  
*#8 x 1" Trusshead Screw*
- DelPro 1238™ & DelPro 1638™ Concrete Fastener  
*3/16" x 1-3/4" Flathead Screw*
- DelPro 1238™ & DelPro 1638™ Steel Fastener  
*#10-16 x 1" Master Driller Pan Socket*



#### Section 4.2 - Recommended Adhesives & Sealants

- LePage Drywall Construction Adhesive  
*PL200 Green Series*
- SIKAR<sup>®</sup> Sikasil<sup>®</sup> Silicone Assembly Sealant  
*SG-10*



## INSTALLATION INSTRUCTIONS

### Section 5 - Special Instructions

***Please follow the special instructions carefully to avoid voiding your warranty***

#### Section 5.1 - Installation in Low Temperatures

If possible, avoid installation of panels when the temperature is below 10°C (50°F). Allow panels to acclimate to room temperature for at least 24 hours prior to installation.

- When installing in temperatures below 8°C (48°F), insert a dime (1.25mm / 0.05”) between panels.
- When installing in temperatures below 0°C (32°F), insert a nickel (1.80mm / 0.07”) between panels to allow space for expansion in hot weather.

#### Section 5.2 - Heat Distortion

DelPro 1238™ & DelPro 1638™ Panels have a heat distortion of 60°C (140°F). Please discuss this with your HVAC contractor prior to installation.

Delcan Products Ltd. recommends ceiling fans or blowers to be installed with “Tube-Type Radiant Heaters” to move the air throughout your facility to uniform heat distribution.

#### Section 5.3 - Radiant Tube Heaters

Radiant tube heaters must be shielded and a 24” clearance must be maintained between DelPro 1238™ & DelPro 1638™ panels and the shielding of the radiant tube heater.

Please do not install ceiling furnaces within 24” of the panels.